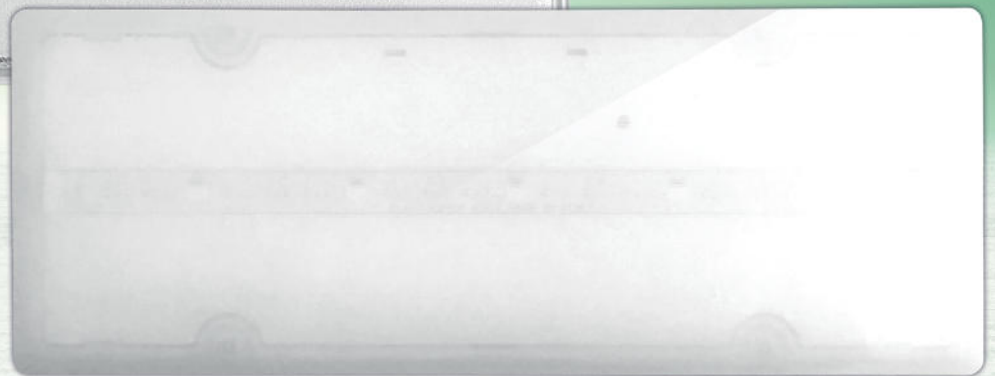


# FAST SMART

FAST SMART – SCHERMO TRASPARENTE



FAST SMART – SCHERMO OPALE



IDEALE PER INSTALLAZIONI IN AMBIENTI COME:

- UFFICI
- ABITAZIONI PRIVATE
- NEGOZI
- ALBERGHI

## CARATTERISTICHE PRINCIPALI:



Dimensioni compatte



Schermo trasparente o opale



Adatta per interni ed esterni (IP42 o IP65)

# FAST SMART

## LAMPADA DI EMERGENZA A LED

Fabbricazione elettronica italiana al 100%  
100% Italian electronics manufacturing

Alimentazione 230Vca-50Hz  
230Vca-50Hz input Power

Grado di protezione IP42 o IP65  
IP42 or IP65 protection degree

Grado di resistenza agli urti IK07  
IK07 shock resistance degree

Materiale corpo in policarbonato autoestinguente V2  
Self-extinguishing (V2) polycarbonate body material

Materiale diffusore in policarbonato autoestinguente V2  
Self-extinguishing (V2) polycarbonate reflector material

Fissaggio diffusore a scatto (IP42)  
Snap reflector fixing (IP42)

Fissaggio diffusore tramite viti e boccole in ottone MA3 (IP65)  
Reflector fixing through MA3 brass screws and bushings (IP65)

Temperatura operativa 0°C / +40°C  
0°C / +40°C working temperature

Glow wire test 850°C (2.0mm)  
850°C (2.0mm) glow wire test

Tipo di funzionamento S.E. o S.E./S.A.  
NOT PERMANENT or PERMANENT functioning

Autonomia da 60 a 180 minuti  
From 60 to 180 minutes autonomy

Tempo di ricarica 12 ore  
12 hours recharging time

Montaggio a parete o ad incasso tramite WALLBOX FST-V2 (cod.19716)  
Wall mounting or recessed wall mounting by WALLBOX FST-V2(cod.19716)

Batteria Ni-MH ricaricabile, garantita 24 mesi  
Rechargeable Ni-MH battery, 24 months warranty

Ricarica della batteria a corrente costante  
Battery recharging at constant rated current

Protezione della batteria a scarica completa  
Battery protection at full discharging

LED verde spia presenza rete  
Green LED power ON

Fonte luminosa LED Alta efficienza  
High efficiency LED Light source

Gamma flusso luminoso nominale da 100 a 500 Lumen  
Luminous flux range from 100 to 500 Lumen

Resa cromatica (CRI) 80  
80 colour rendering index

Temperatura colore 5000K  
5000K colour temperature

Zero rischio fotobiologico secondo EN62471  
Photobiological no-risk according to EN62471

Garanzia sulla fonte luminosa LED di 10 anni  
10 years warranty on LED light source

Conforme alle normative vigenti:  
Complies with current Standards:

- EN 61547 • EN 1838 • EN 60598-2-22 • EN 62471 • EN 55015, Classe B
- EN 60598-1 • EN 61347-2-7 • EN 62034 (Autotesting Version)

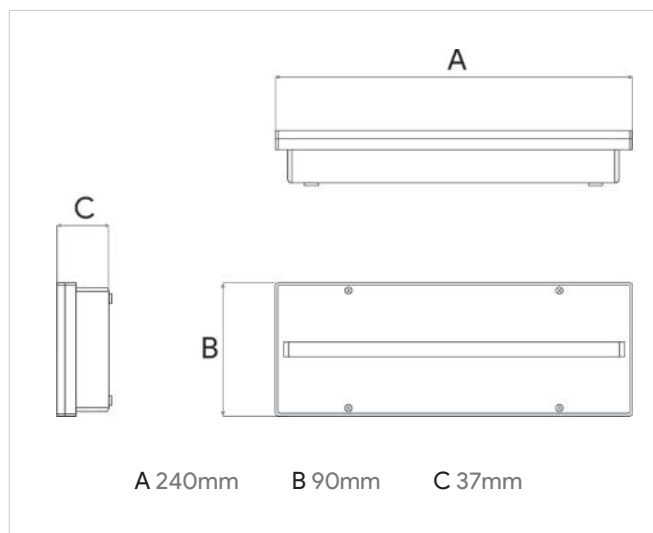
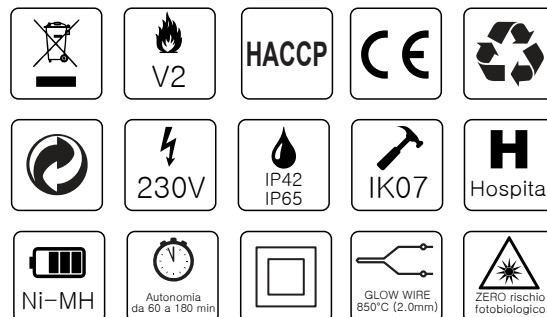
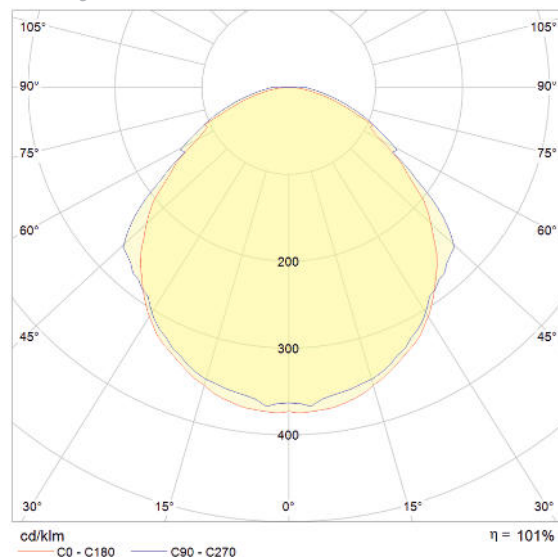


Diagramma polare  
Polar diagram



FAST SMART - STANDARD S.E. IP42 (SCHERMO TRASPARENTE)							
CODICE	ARTICOLO	LUMEN S.E.		AUTONOMIA	BATTERIA	TEMPO DI RICARICA	MODO
59071	FSMART100NM10SE42TR	100		60 min	Ni-Mh	12 h	S.E.
59072	FSMART100NM20SE42TR	100		120 min	Ni-Mh	12 h	S.E.
59073	FSMART100NM30SE42TR	100		180 min	Ni-Mh	12 h	S.E.
59074	FSMART150NM10SE42TR	150		60 min	Ni-Mh	12 h	S.E.
59075	FSMART150NM20SE42TR	150		120 min	Ni-Mh	12 h	S.E.
59076	FSMART150NM30SE42TR	150		180 min	Ni-Mh	12 h	S.E.
59077	FSMART200NM10SE42TR	200		60 min	Ni-Mh	12 h	S.E.
59078	FSMART200NM20SE42TR	200		120 min	Ni-Mh	12 h	S.E.
59079	FSMART200NM30SE42TR	200		180 min	Ni-Mh	12 h	S.E.
59080	FSMART300NM10SE42TR	300		60 min	Ni-Mh	12 h	S.E.
59081	FSMART300NM20SE42TR	300		120 min	Ni-Mh	12 h	S.E.
59083	FSMART400NM10SE42TR	400		60 min	Ni-Mh	12 h	S.E.
59084	FSMART400NM20SE42TR	400		120 min	Ni-Mh	12 h	S.E.
59086	FSMART500NM10SE42TR	500		60 min	Ni-Mh	12 h	S.E.
59087	FSMART500NM15SE42TR	500		90 min	Ni-Mh	12 h	S.E.

FAST SMART - STANDARD S.E./S.A. IP42 (SCHERMO TRASPARENTE)							
CODICE	ARTICOLO	LUMEN S.E.	LUMEN S.A.	AUTONOMIA	BATTERIA	TEMPO DI RICARICA	MODO
59089	FSMART100NM10SESA42TR	100	100	60 min	Ni-Mh	12 h	S.E./S.A.
59090	FSMART100NM20SESA42TR	100	100	120 min	Ni-Mh	12 h	S.E./S.A.
59091	FSMART100NM30SESA42TR	100	100	180 min	Ni-Mh	12 h	S.E./S.A.
59092	FSMART150NM10SESA42TR	150	150	60 min	Ni-Mh	12 h	S.E./S.A.
59093	FSMART150NM20SESA42TR	150	150	120 min	Ni-Mh	12 h	S.E./S.A.
59094	FSMART150NM30SESA42TR	150	150	180 min	Ni-Mh	12 h	S.E./S.A.
59095	FSMART200NM10SESA42TR	200	200	60 min	Ni-Mh	12 h	S.E./S.A.
59096	FSMART200NM20SESA42TR	200	200	120 min	Ni-Mh	12 h	S.E./S.A.
59097	FSMART200NM30SESA42TR	200	200	180 min	Ni-Mh	12 h	S.E./S.A.
59098	FSMART300NM10SESA42TR	300	280	60 min	Ni-Mh	12 h	S.E./S.A.
59099	FSMART300NM20SESA42TR	300	280	120 min	Ni-Mh	12 h	S.E./S.A.
59101	FSMART400NM10SESA42TR	400	280	60 min	Ni-Mh	12 h	S.E./S.A.
59102	FSMART400NM20SESA42TR	400	280	120 min	Ni-Mh	12 h	S.E./S.A.
59104	FSMART500NM10SESA42TR	500	280	60 min	Ni-Mh	12 h	S.E./S.A.
59105	FSMART500NM15SESA42TR	500	280	90 min	Ni-Mh	12 h	S.E./S.A.

FAST SMART - STANDARD S.E. IP65 (SCHERMO TRASPARENTE)							
CODICE	ARTICOLO	LUMEN S.E.		AUTONOMIA	BATTERIA	TEMPO DI RICARICA	MODO
59107	FSMART100NM10SE65TR	100		60 min	Ni-Mh	12 h	S.E.
59108	FSMART100NM20SE65TR	100		120 min	Ni-Mh	12 h	S.E.
59109	FSMART100NM30SE65TR	100		180 min	Ni-Mh	12 h	S.E.
59110	FSMART150NM10SE65TR	150		60 min	Ni-Mh	12 h	S.E.
59111	FSMART150NM20SE65TR	150		120 min	Ni-Mh	12 h	S.E.
59112	FSMART150NM30SE65TR	150		180 min	Ni-Mh	12 h	S.E.
59113	FSMART200NM10SE65TR	200		60 min	Ni-Mh	12 h	S.E.
59114	FSMART200NM20SE65TR	200		120 min	Ni-Mh	12 h	S.E.
59115	FSMART200NM30SE65TR	200		180 min	Ni-Mh	12 h	S.E.
59116	FSMART300NM10SE65TR	300		60 min	Ni-Mh	12 h	S.E.
59117	FSMART300NM20SE65TR	300		120 min	Ni-Mh	12 h	S.E.
59119	FSMART400NM10SE65TR	400		60 min	Ni-Mh	12 h	S.E.
59120	FSMART400NM20SE65TR	400		120 min	Ni-Mh	12 h	S.E.
59122	FSMART500NM10SE65TR	500		60 min	Ni-Mh	12 h	S.E.
59123	FSMART500NM15SE65TR	500		90 min	Ni-Mh	12 h	S.E.

FAST SMART - STANDARD S.E./S.A. IP65 (SCHERMO TRASPARENTE)							
CODICE	ARTICOLO	LUMEN S.E.	LUMEN S.A.	AUTONOMIA	BATTERIA	TEMPO DI RICARICA	MODO
59125	FSMART100NM10SESA65TR	100	100	60 min	Ni-Mh	12 h	S.E./S.A.
59126	FSMART100NM20SESA65TR	100	100	120 min	Ni-Mh	12 h	S.E./S.A.
59127	FSMART100NM30SESA65TR	100	100	180 min	Ni-Mh	12 h	S.E./S.A.
59128	FSMART150NM10SESA65TR	150	150	60 min	Ni-Mh	12 h	S.E./S.A.
59129	FSMART150NM20SESA65TR	150	150	120 min	Ni-Mh	12 h	S.E./S.A.
59130	FSMART150NM30SESA65TR	150	150	180 min	Ni-Mh	12 h	S.E./S.A.
59131	FSMART200NM10SESA65TR	200	200	60 min	Ni-Mh	12 h	S.E./S.A.
59132	FSMART200NM20SESA65TR	200	200	120 min	Ni-Mh	12 h	S.E./S.A.
59133	FSMART200NM30SESA65TR	200	200	180 min	Ni-Mh	12 h	S.E./S.A.
59134	FSMART300NM10SESA65TR	300	280	60 min	Ni-Mh	12 h	S.E./S.A.
59135	FSMART300NM20SESA65TR	300	280	120 min	Ni-Mh	12 h	S.E./S.A.
59137	FSMART400NM10SESA65TR	400	280	60 min	Ni-Mh	12 h	S.E./S.A.
59138	FSMART400NM20SESA65TR	400	280	120 min	Ni-Mh	12 h	S.E./S.A.
59140	FSMART500NM10SESA65TR	500	280	60 min	Ni-Mh	12 h	S.E./S.A.
59141	FSMART500NM15SESA65TR	500	280	90 min	Ni-Mh	12 h	S.E./S.A.

FAST SMART - STANDARD S.E. IP42 (SCHERMO OPALE)							
CODICE	ARTICOLO	LUMEN S.E.		AUTONOMIA	BATTERIA	TEMPO DI RICARICA	MODO
59143	FSMART100NM10SE42OP	100		60 min	Ni-Mh	12 h	S.E.
59144	FSMART100NM20SE42OP	100		120 min	Ni-Mh	12 h	S.E.
59145	FSMART100NM30SE42OP	100		180 min	Ni-Mh	12 h	S.E.
59146	FSMART150NM10SE42OP	150		60 min	Ni-Mh	12 h	S.E.
59147	FSMART150NM20SE42OP	150		120 min	Ni-Mh	12 h	S.E.
59148	FSMART150NM30SE42OP	150		180 min	Ni-Mh	12 h	S.E.
59149	FSMART200NM10SE42OP	200		60 min	Ni-Mh	12 h	S.E.

59150	FSMART200NM20SE42OP	200		120 min	Ni-Mh	12 h	S.E.
59151	FSMART200NM30SE42OP	200		180 min	Ni-Mh	12 h	S.E.
59152	FSMART300NM10SE42OP	300		60 min	Ni-Mh	12 h	S.E.
59153	FSMART300NM20SE42OP	300		120 min	Ni-Mh	12 h	S.E.
59155	FSMART400NM10SE42OP	400		60 min	Ni-Mh	12 h	S.E.
59156	FSMART400NM20SE42OP	400		120 min	Ni-Mh	12 h	S.E.
59158	FSMART500NM10SE42OP	500		60 min	Ni-Mh	12 h	S.E.
59159	FSMART500NM15SE42OP	500		90 min	Ni-Mh	12 h	S.E.

## FAST SMART - STANDARD S.E./S.A. IP42 (SCHERMO OPALE)

CODICE	ARTICOLO	LUMEN S.E.	LUMEN S.A.	AUTONOMIA	BATTERIA	TEMPO DI RICARICA	MODO
59161	FSMART100NM10SESA42OP	100	100	60 min	Ni-Mh	12 h	S.E./S.A.
59162	FSMART100NM20SESA42OP	100	100	120 min	Ni-Mh	12 h	S.E./S.A.
59163	FSMART100NM30SESA42OP	100	100	180 min	Ni-Mh	12 h	S.E./S.A.
59164	FSMART150NM10SESA42OP	150	150	60 min	Ni-Mh	12 h	S.E./S.A.
59165	FSMART150NM20SESA42OP	150	150	120 min	Ni-Mh	12 h	S.E./S.A.
59166	FSMART150NM30SESA42OP	150	150	180 min	Ni-Mh	12 h	S.E./S.A.
59167	FSMART200NM10SESA42OP	200	200	60 min	Ni-Mh	12 h	S.E./S.A.
59168	FSMART200NM20SESA42OP	200	200	120 min	Ni-Mh	12 h	S.E./S.A.
59169	FSMART200NM30SESA42OP	200	200	180 min	Ni-Mh	12 h	S.E./S.A.
59170	FSMART300NM10SESA42OP	300	280	60 min	Ni-Mh	12 h	S.E./S.A.
59171	FSMART300NM20SESA42OP	300	280	120 min	Ni-Mh	12 h	S.E./S.A.
59173	FSMART400NM10SESA42OP	400	280	60 min	Ni-Mh	12 h	S.E./S.A.
59174	FSMART400NM20SESA42OP	400	280	120 min	Ni-Mh	12 h	S.E./S.A.
59176	FSMART500NM10SESA42OP	500	280	60 min	Ni-Mh	12 h	S.E./S.A.
59177	FSMART500NM15SESA42OP	500	280	90 min	Ni-Mh	12 h	S.E./S.A.

## FAST SMART - STANDARD S.E. IP65 (SCHERMO OPALE)

CODICE	ARTICOLO	LUMEN S.E.	LUMEN S.A.	AUTONOMIA	BATTERIA	TEMPO DI RICARICA	MODO
59179	FSMART100NM10SE65OP	100		60 min	Ni-Mh	12 h	S.E.
59180	FSMART100NM20SE65OP	100		120 min	Ni-Mh	12 h	S.E.
59181	FSMART100NM30SE65OP	100		180 min	Ni-Mh	12 h	S.E.
59182	FSMART150NM10SE65OP	150		60 min	Ni-Mh	12 h	S.E.
59183	FSMART150NM20SE65OP	150		120 min	Ni-Mh	12 h	S.E.
59184	FSMART150NM30SE65OP	150		180 min	Ni-Mh	12 h	S.E.
59185	FSMART200NM10SE65OP	200		60 min	Ni-Mh	12 h	S.E.
59186	FSMART200NM20SE65OP	200		120 min	Ni-Mh	12 h	S.E.
59187	FSMART200NM30SE65OP	200		180 min	Ni-Mh	12 h	S.E.
59188	FSMART300NM10SE65OP	300		60 min	Ni-Mh	12 h	S.E.
59189	FSMART300NM20SE65OP	300		120 min	Ni-Mh	12 h	S.E.
59191	FSMART400NM10SE65OP	400		60 min	Ni-Mh	12 h	S.E.
59192	FSMART400NM20SE65OP	400		120 min	Ni-Mh	12 h	S.E.
59194	FSMART500NM10SE65OP	500		60 min	Ni-Mh	12 h	S.E.
59195	FSMART500NM15SE65OP	500		90 min	Ni-Mh	12 h	S.E.

## FAST SMART - STANDARD S.E./S.A. IP65 (SCHERMO OPALE)

CODICE	ARTICOLO	LUMEN S.E.	LUMEN S.A.	AUTONOMIA	BATTERIA	TEMPO DI RICARICA	MODO
59197	FSMART100NM10SESA65OP	100	100	60 min	Ni-Mh	12 h	S.E./S.A.
59198	FSMART100NM20SESA65OP	100	100	120 min	Ni-Mh	12 h	S.E./S.A.
59199	FSMART100NM30SESA65OP	100	100	180 min	Ni-Mh	12 h	S.E./S.A.
59200	FSMART150NM10SESA65OP	150	150	60 min	Ni-Mh	12 h	S.E./S.A.
59201	FSMART150NM20SESA65OP	150	150	120 min	Ni-Mh	12 h	S.E./S.A.
59202	FSMART150NM30SESA65OP	150	150	180 min	Ni-Mh	12 h	S.E./S.A.
59203	FSMART200NM10SESA65OP	200	200	60 min	Ni-Mh	12 h	S.E./S.A.
59204	FSMART200NM20SESA65OP	200	200	120 min	Ni-Mh	12 h	S.E./S.A.
59205	FSMART200NM30SESA65OP	200	200	180 min	Ni-Mh	12 h	S.E./S.A.
59206	FSMART300NM10SESA65OP	300	280	60 min	Ni-Mh	12 h	S.E./S.A.
59207	FSMART300NM20SESA65OP	300	280	120 min	Ni-Mh	12 h	S.E./S.A.
59209	FSMART400NM10SESA65OP	400	280	60 min	Ni-Mh	12 h	S.E./S.A.
59210	FSMART400NM20SESA65OP	400	280	120 min	Ni-Mh	12 h	S.E./S.A.
59212	FSMART500NM10SESA65OP	500	280	60 min	Ni-Mh	12 h	S.E./S.A.
59213	FSMART500NM15SESA65OP	500	280	90 min	Ni-Mh	12 h	S.E./S.A.